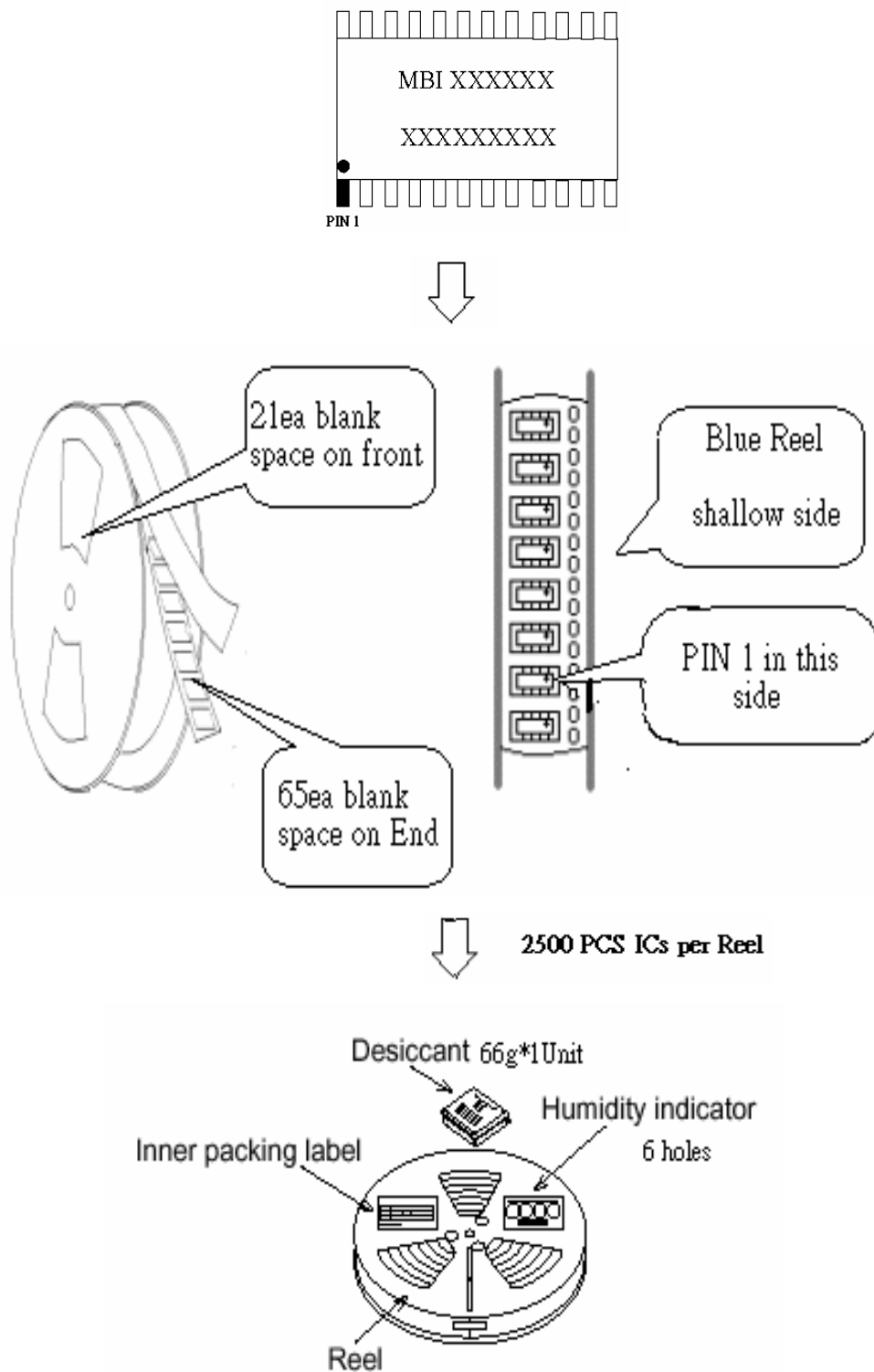
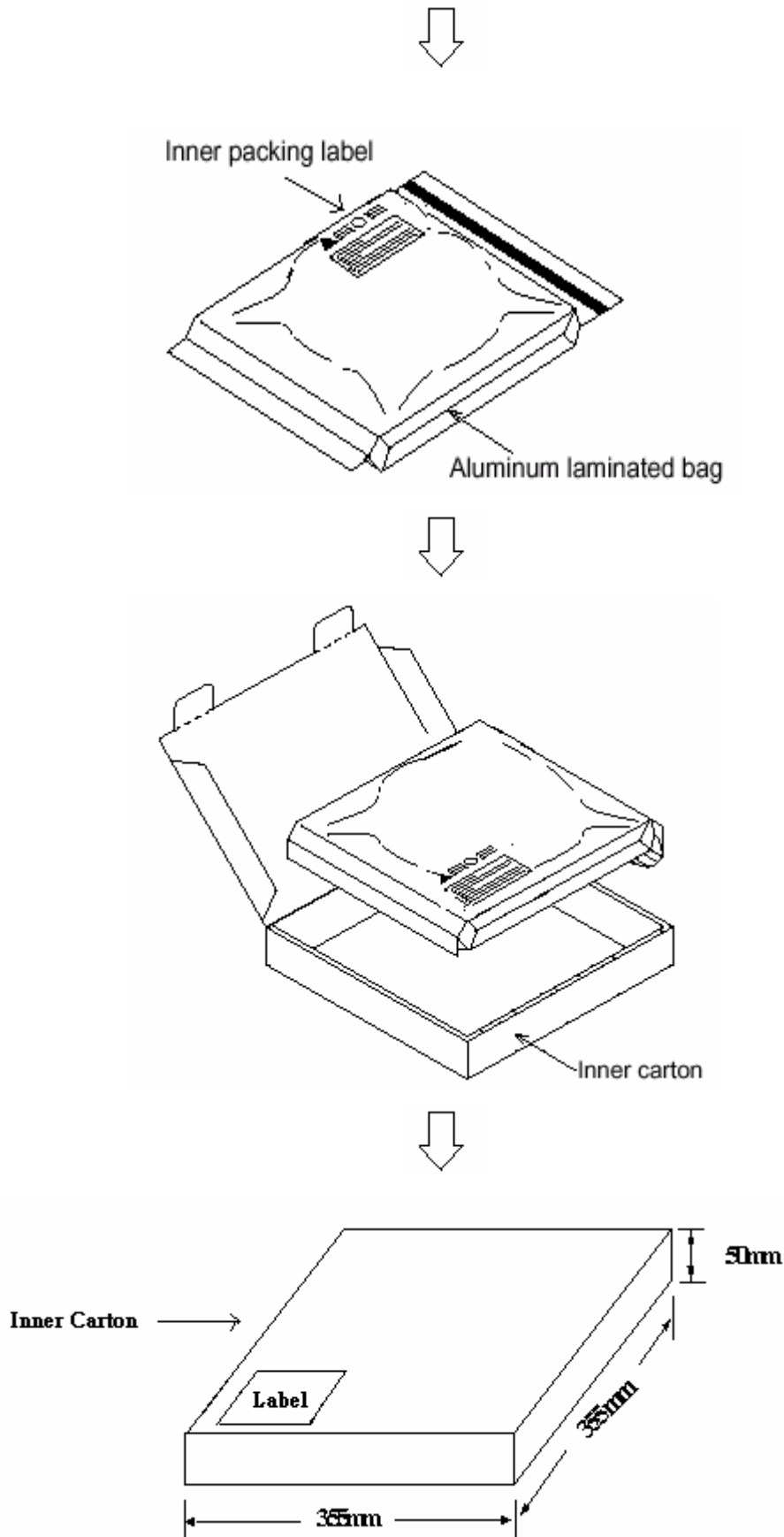


MBI5026GP / MBI5027GP / MBI5028GP / MBI5029GP Package and Weight
MBI5026CP / MBI5027CP / MBI5028CP / MBI5029CP Package and Weight

Package



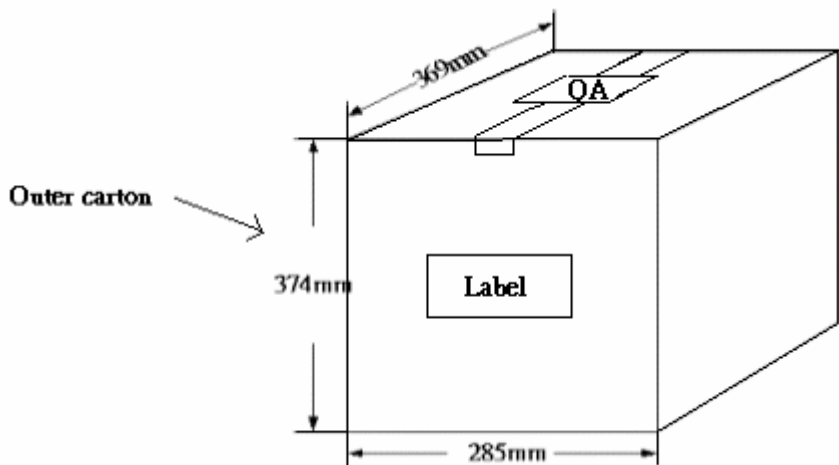
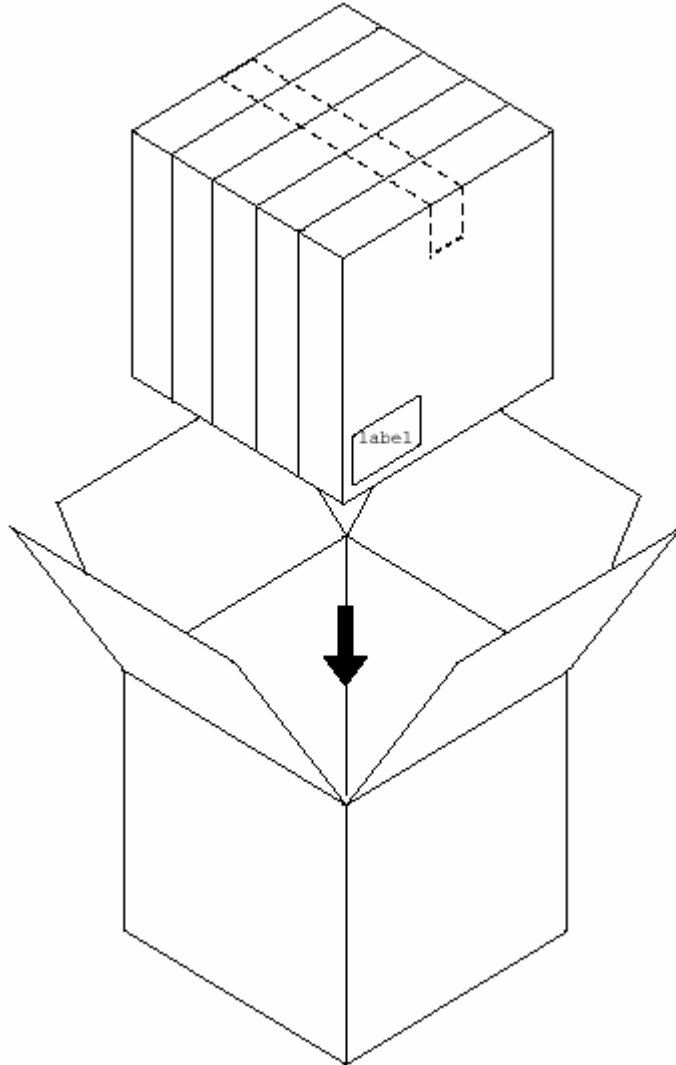
MBI5026GP / MBI5027GP / MBI5028GP / MBI5029GP Package and Weight
MBI5026CP / MBI5027CP / MBI5028CP / MBI5029CP Package and Weight



MBI5026GP / MBI5027GP / MBI5028GP / MBI5029GP Package and Weight
MBI5026CP / MBI5027CP / MBI5028CP / MBI5029CP Package and Weight



5 Inner carton Per Outer carton



MBI5026GP / MBI5027GP / MBI5028GP / MBI5029GP Package and Weight
MBI5026CP / MBI5027CP / MBI5028CP / MBI5029CP Package and Weight

Weight

Item	Description	Weight(Kg)
1	Net Weight of 1 IC	0.000111
2	Net Weight of Inner carton	0.29
3	Net Weight of 5 Inner cartons	1.45
4	Net Weight of Outer carton	0.72
5	Net Weight of Other Materials	0.56
6	Per Inner carton Set (2500PCS)	1.13
7	Per Outer carton Set (5 Inner cartons, 12500 PCS)	6.38