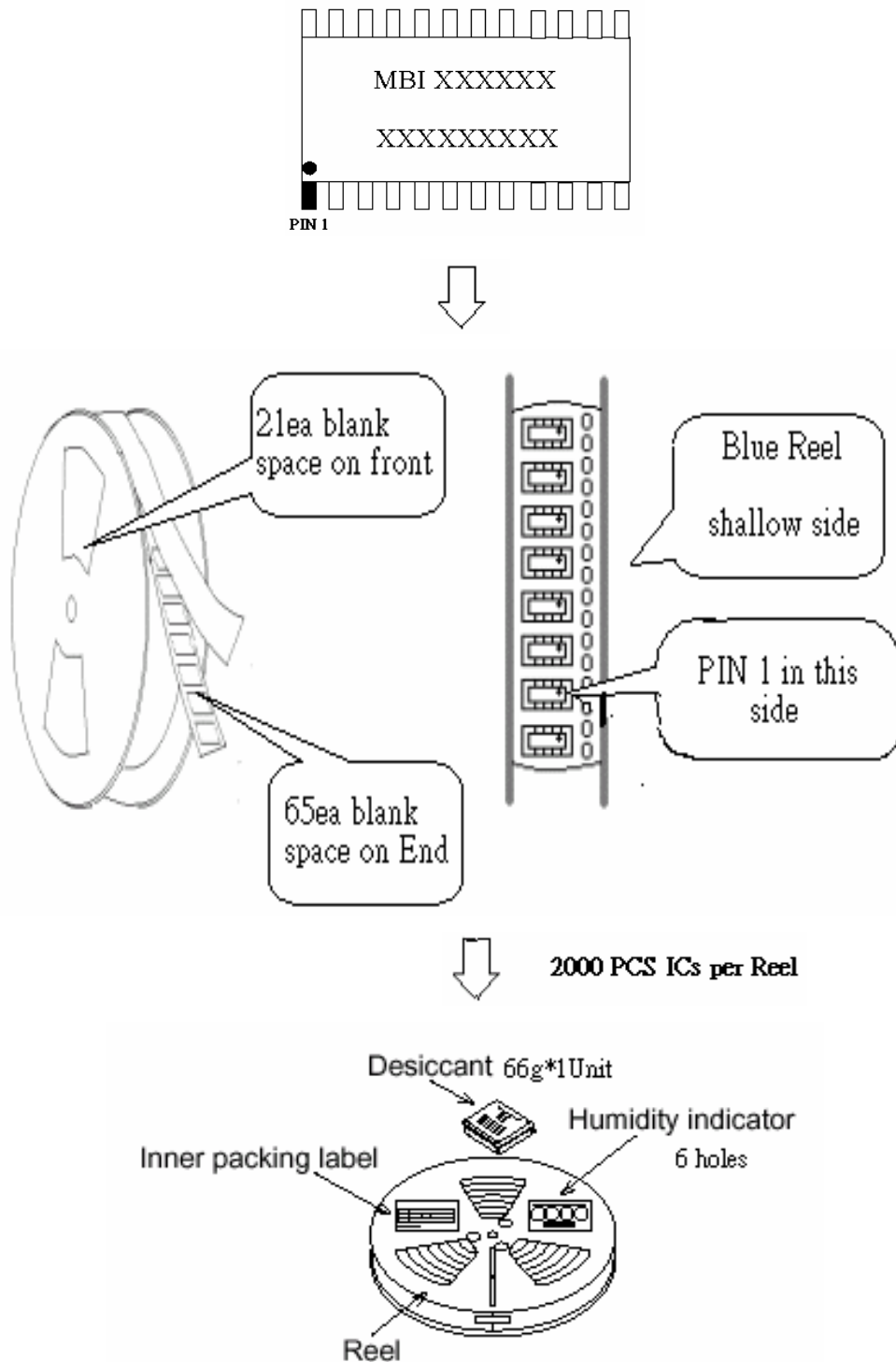
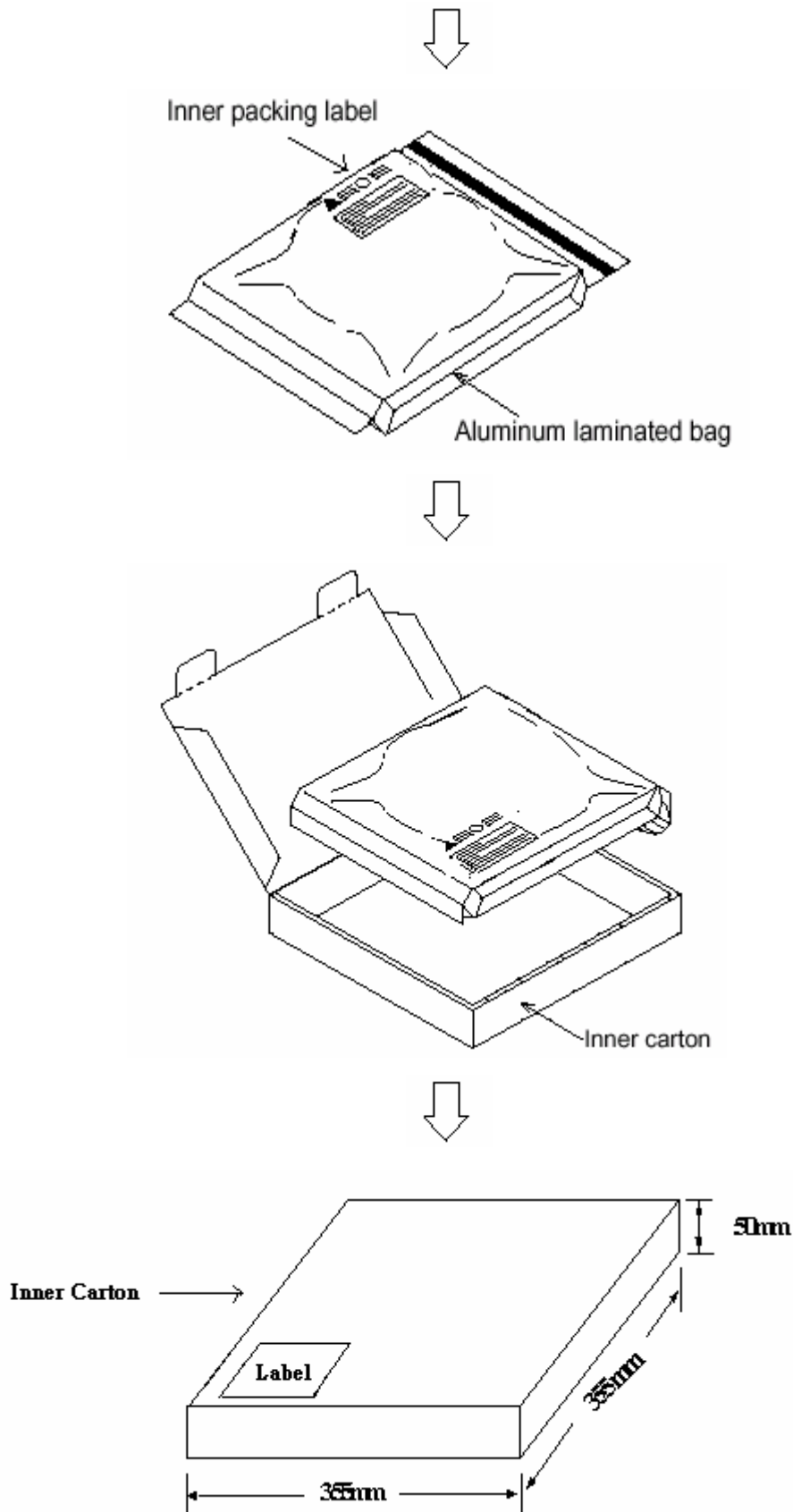


MBI5026GF / MBI5027GF / MBI5028GF / MBI5029GF Package and Weight
MBI5026CF / MBI5027CF / MBI5028CF / MBI5029CF Package and Weight

Package



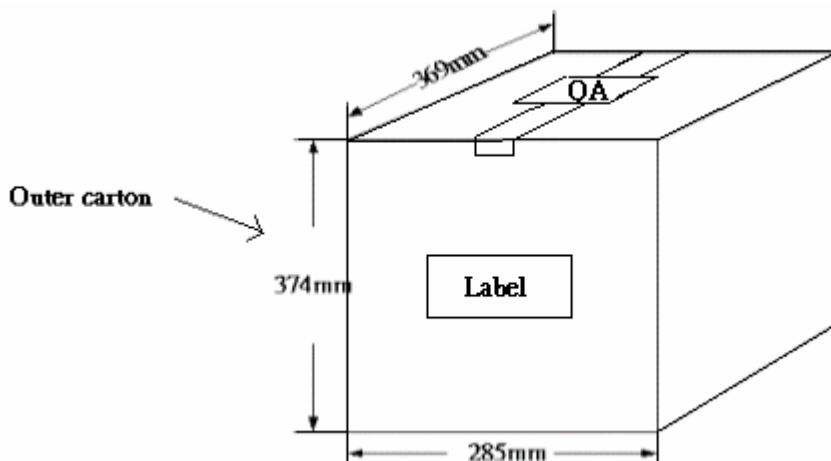
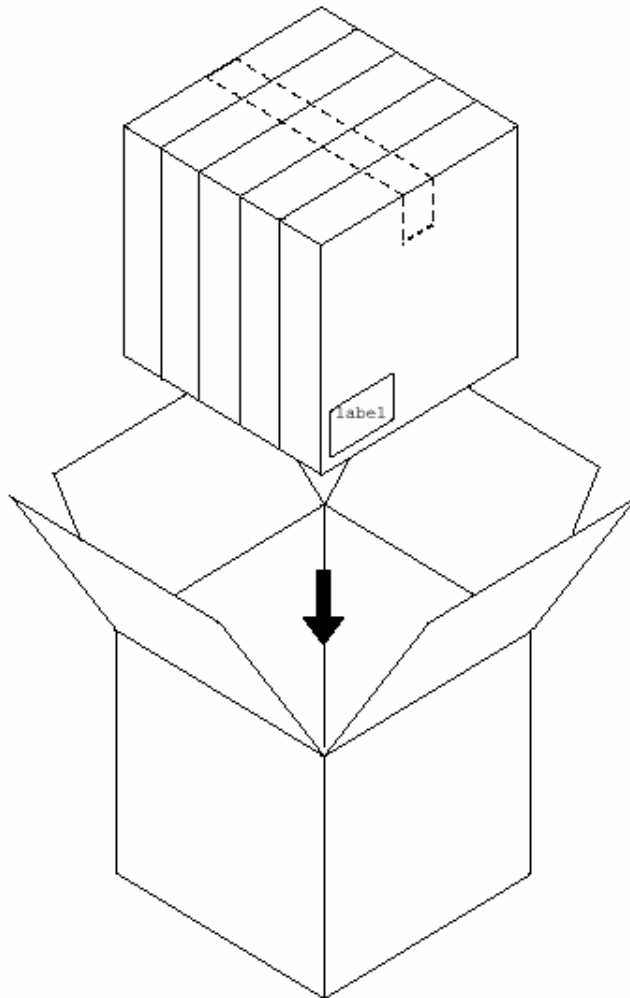
MBI5026GF / MBI5027GF / MBI5028GF / MBI5029GF Package and Weight
MBI5026CF / MBI5027CF / MBI5028CF / MBI5029CF Package and Weight



MBI5026GF / MBI5027GF / MBI5028GF / MBI5029GF Package and Weight
MBI5026CF / MBI5027CF / MBI5028CF / MBI5029CF Package and Weight



5 Inner carton Per Outer carton



MBI5026GF / MBI5027GF / MBI5028GF / MBI5029GF Package and Weight
MBI5026CF / MBI5027CF / MBI5028CF / MBI5029CF Package and Weight

Weight

Item	Description	Weight(Kg)
1	Net Weight of 1 IC	0.000282
2	Net Weight of Inner carton	0.29
3	Net Weight of 5 Inner cartons	1.45
4	Net Weight of Outer carton	0.72
5	Net Weight of Other Materials	0.62
6	Per Inner carton Set (2000PCS)	1.47
7	Per Outer carton Set (5 Inner cartons, 10000 PCS)	8.09